

DATA SHEET

C11 Force transducers

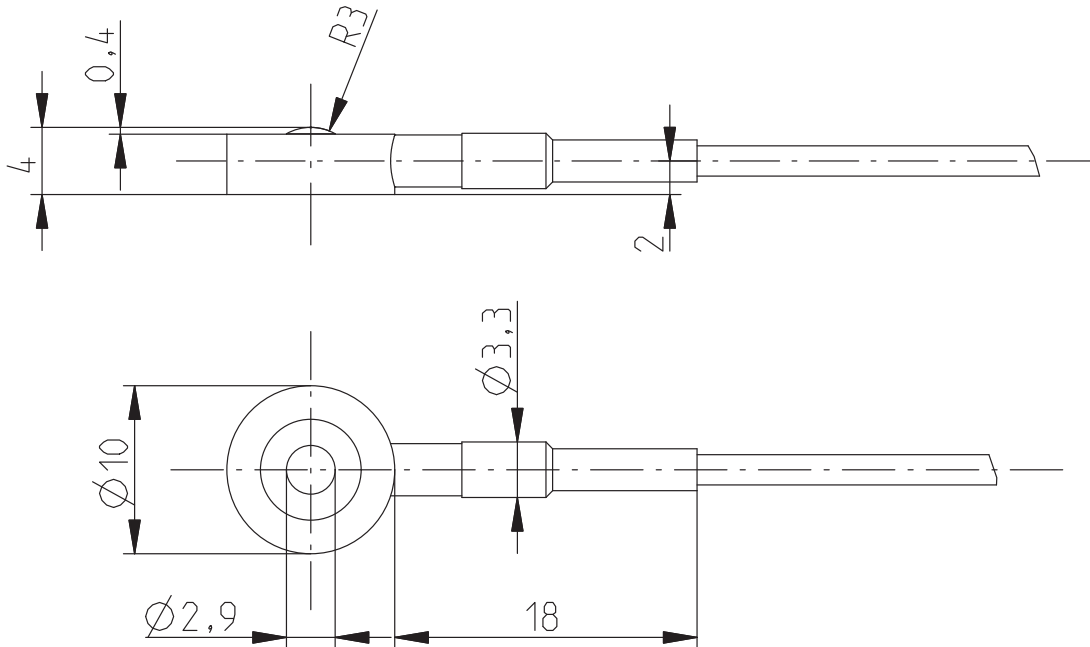
SPECIAL FEATURES

- Compressive force transducer
- Accuracy class 0.5
- Exceptionally small dimensions

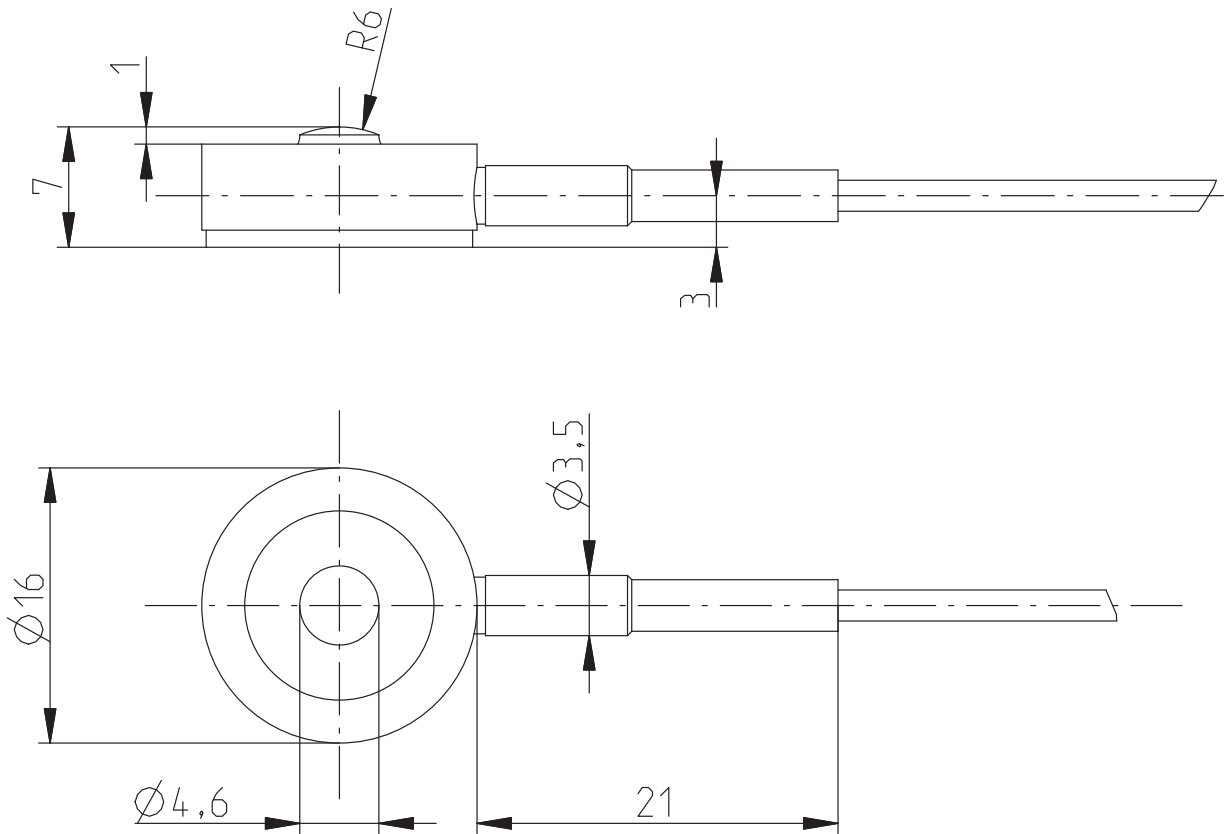


DIMENSIONS

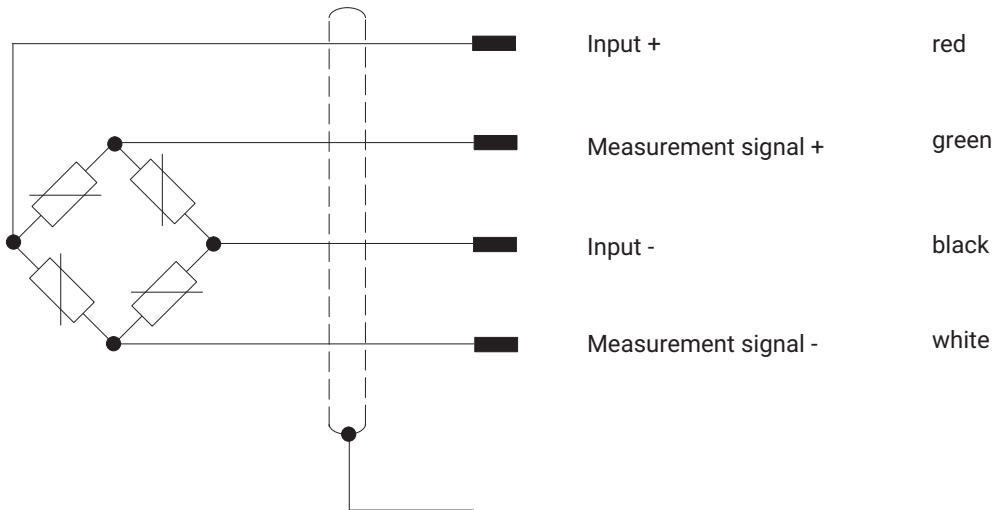
C11 50 N ... 200 N



C11 500 N ... 2 kN



CABLE ASSIGNMENT



SPECIFICATIONS

Type	C11							
Nominal (rated) force	F_{nom}	N	50	100	200	500		
		kN					1	2
Accuracy								
Accuracy class		%	0.5					
Repeatability in an unmodified mounting position	b'	%	0.3					
Relative reversibility error	v	%	0.3					
Creep	$d_{cr, F+E}$	%	0.3					
Temperature coefficient of zero signal	TC_0	%/10K	0.5					
Temperature coefficient of sensitivity	TC_S	%/10K	0.5					
Electrical values								
Rated output (nominal)	C_{nom}	mV/V	>1.4					
Max. zero signal deviation	$d_{s,0}$	mV/V	0.25					
Input resistance	R_i	Ω	$350 \pm 2.5\%$					
Output resistance	R_o	Ω	$350 \pm 2.5\%$					
Operating range of the supply voltage	$B_{u,gt}$	V	1 ... 7					
Reference supply voltage	U_{ref}	V	5					
Electrical connection			4-wire circuit					
Temperature								
Reference temperature	t_{ref}	$^{\circ}C$	23					
Nominal (rated) temperature range	$B_{t,nom}$	$^{\circ}C$	-20 ... +100					
Operating temperature range	$B_{t,g}$	$^{\circ}C$	-20 ... +120					
Storage temperature range	$B_{t,L}$	$^{\circ}C$	-20 ... +120					
Mechanical properties								
Maximum operating force	F_G	% of F_{nom}	150					
Force limit	F_L		150					
Breaking force	F_B		150					
Fundamental frequency	f_G	kHz	40	47	59	37	45	54
Displacement		mm	0.021	0.022	0.023	0.016	0.018	0.021
General information								
Degree of protection in accordance with EN 60529						IP64		
Spring element material						Stainless steel		
Cable						Fluoropolymer-insulated; shielded cable		
Cable length	l	m	2					
Weight	m	g	6.5					

ORDERING NUMBERS

Ordering number	Description
1-C11/50N-3	Miniature transducer C11, nominal (rated) force 50 N
1-C11/100N-3	Miniature transducer C11, nominal (rated) force 100 N
1-C11/200N-3	Miniature transducer C11, nominal (rated) force 200 N
1-C11/500N-3	Miniature transducer C11, nominal (rated) force 500 N
1-C11/1kN-3	Miniature transducer C11, nominal (rated) force 1 kN
1-C11/2kN-3	Miniature transducer C11, nominal (rated) force 2 kN

SCOPE OF SUPPLY

- C11 force transducer
- Operating manual
- Test record

托驰（上海）工业传感器有限公司
上海市嘉定区华江路348号1号楼707室
Tel. 021-51069888 Fax. 021-51069009
www.yanatoo.com zhang@yanatoo.com

Subject to modifications. All product descriptions are for general information only. They are not to be understood as a guarantee of quality or durability.